

GREEN 100% VISCOSE ORTHOPAEDIC HOOD

FIELDS APPLICATION : health / medical / surgery / clean room / laboratory / pharma / research.

TECHNICAL DESCRIPTION : 

Composition : 100 % viscose pur

Color : green

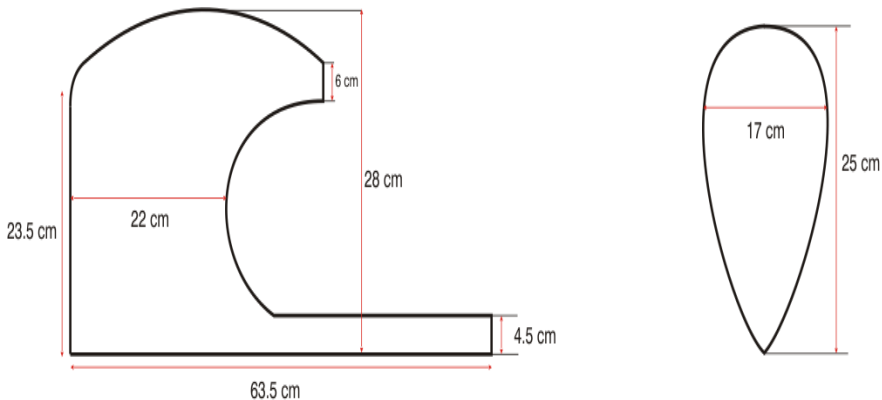
Grammage : 30 sqm

Making : sewn with side ties

Weight : 7 gr

Origin : Asia

Packaging : dispenser box



PRODUCT SALES POINTS:

Comfort absolu :

- 100% Pure viscose non-perforated.

Ultra absorbent soft material, this hood is widely used in the operating room.

Adjustable :

- With lateral links, it adapts perfectly to different morphologies.

Available in several colors :

- Ability to color code tracking.

GREEN 100% VISCOSE ORTHOPAEDIC HOOD

PACKAGING :



Packaging : Quantity : 100 pcs / dispenser box
Type of packaging : carton
Number of dispenser box / carton : 8 dispenser boxes

Carton :

Sizes of carton (mm) : 615 x 305 x 320
Gross weight : 7 kg
Net weight : 6,2 kg

Dispenser box :

Sizes of dispenser box : 290 x 155 x 155
Gross weight : 790 gr
Net weight : 686 gr
Weight of hood: 7 gr

Palettisation : 20 cartons de 8 dispenser boxes i.e 16 000 hood
Pallet weight : 147 kg

STORAGE CONDITIONS :

Usual storage conditions : shouldn't be exposed to moisture and sunlight
Particular protection : disposable product

SIMILAR REFERENCES

| Reference | Designations | Packaging |
|-----------|---|-----------|
| 70.751 | White - 100 %viscose - 30 sqm - 50 cm - dispenser box | 8 x 100 |
| 70.753 | Blue - 100 %viscose - 30 sqm - 50 cm - dispenser box | 8 x 100 |

