

## TECHNICAL DATA SHEET Isolation Gown

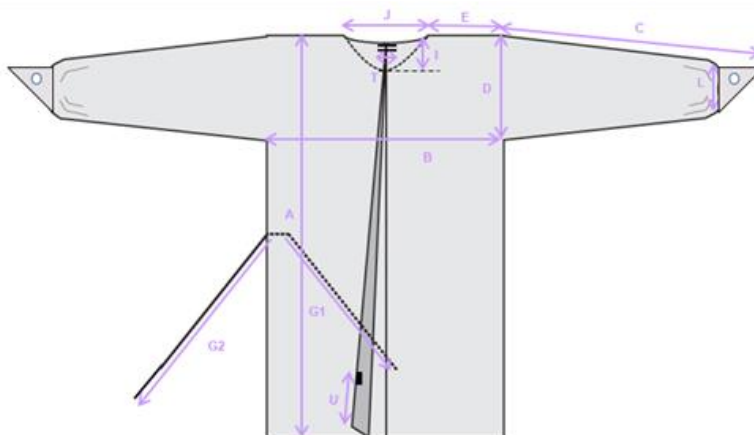
### Intended Use

Disposable SMS Polypropylene Isolation Gown designed to protect health professionals and patients from cross infection.

Protective ultrasonically sealed gown that meets AAMI PB70 level II barrier performance for protective apparel.

| Characteristic       |                                     | Specification   |  |  |
|----------------------|-------------------------------------|---|--|--|
| Material Composition |                                     | Spunbond Meltblown Meltblown Spunbond (SMMS) Polypropylene. Latex-Free  |  |  |
| Description          |                                     | Gown made of non-woven material with full back closure. Features flat belt, elastic cuffs (elastic does not go all around the cuff) with thumb loops available, Over-The-Head (OTH) flexible neck closure made of two elastic strings (Refer to Appendix 1 specific attributes) |  |  |
| Part of Gown         |                                     | Dimension (cm)  |  |  |
|                      |                                     | Large   | X-Large                                      | XX-Large                                     |
| A                    | Gown Length                         | 112   | 129  | 135  |
| B                    | Underarm Width                      | 71  | 79   | 86   |
| C                    | Sleeve Length (Includes Thumb Loop) | 65  | 65   | 65   |
| D                    | Shoulder Height                     | 30  | 31   | 33   |
| E                    | Shoulder Width                      | 23  | 26   | 29   |
|                      | Belt Position                       | 20 cm below the arm<br>7 cm toward the front  | 20 cm below the arm<br>7 cm toward the front | 20 cm below the arm<br>7 cm toward the front |
| G1                   | Belt Length Front                   | 87  | 102  | 102  |
| G2                   | Belt Length Back                    | 93  | 108  | 108  |
|                      | Belt Width                          | 5   | 5  | 5  |
| I                    | Collar Depth                        | 10  | 10   | 10   |
| J                    | Collar Width                        | 22  | 22   | 22   |
| L                    | Cuff Width (Stretched)              | 14  | 14   | 14   |
| T                    | Elastic Strings                     | 9   | 9  | 9  |
| U                    | Tag Position                        | 23,5<br>(Left side of back only)  | 23,5<br>(Left side of back only)             | 23,5<br>(Left side of back only)             |

### Measurement Diagram



Refer to specific attribute for position of the belt

## TECHNICAL DATA SHEET Isolation Gown

### Additional Information

| Regulatory   | Storage Condition                                    | Country of Origin |
|--|--|-------------------|
| FDA Class 1, FDA Product Code OEA<br>Health Canada Class 1 | Store under ambient temperature and dry<br>condition | China or Mexico   |

### Appendix 1 List of Item Codes and Attributes

## Appendix 1 (List of items)

AMD Medicom Inc.

| Item Code | Description                                       | Packaging Information                         | Size     | Color  | Specific Attribute                                  | Treatment   |
|-----------|---|---|----------|--------|---|-------------|
| A69961    | AMD-Ritmed Assure Wear VersaGown                  | 10 Gowns/Bag, 10 Bags/Case,<br>100 Gowns/Case | Large    | Yellow | Belt on the left side<br>Country of origin : China  | Non-Sterile |
| A69961-F  | AMD-Ritmed SMS Isolation Gown                     | 10 Gowns/Bag, 10 Bags/Case,<br>100 Gowns/Case | Large    | Yellow | Belt on the left side<br>Country of origin : Mexico | Non-Sterile |
| A69962    | AMD-Ritmed Assure Wear VersaGown                  | 10 Gowns/Bag, 10 Bags/Case,<br>100 Gowns/Case | X-Large  | Yellow | Belt on the left side<br>Country of origin : China  | Non-Sterile |
| A69962-F  | AMD-Ritmed SMS Isolation Gown                     | 10 Gowns/Bag, 10 Bags/Case,<br>100 Gowns/Case | X-Large  | Yellow | Belt on the left side<br>Country of origin : Mexico | Non-Sterile |
| A69963    | AMD-Ritmed Assure Wear VersaGown                  | 10 Gowns/Bag, 10 Bags/Case,<br>100 Gowns/Case | XX-Large | Yellow | Belt on the left side<br>Country of origin : China  | Non-Sterile |
| IGY-162   | AMD-Ritmed and RAM Surgical Assure Wear VersaGown | 10 Gowns/Bag, 10 Bags/Case,<br>100 Gowns/Case | X-Large  | Yellow | Belt on the left side<br>Country of origin : China  | Non-Sterile |